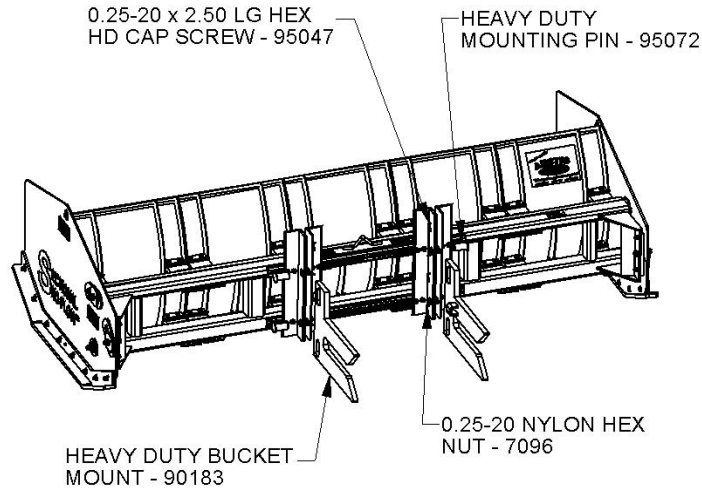


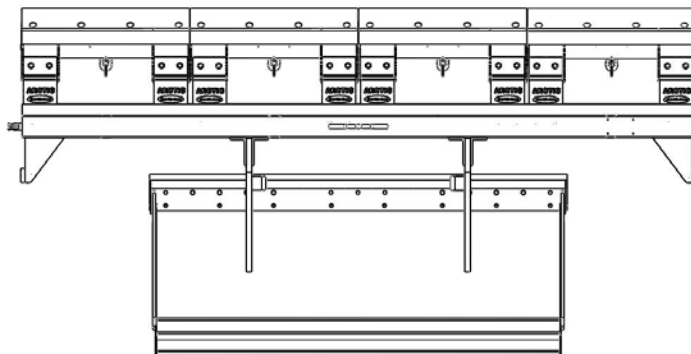
# Installation of Heavy Duty Bucket Mounts

1. To make sure Bucket Mounts are installed correctly on the plow. Make sure the Mounting Coupler Binding Rings on each Bucket Mount are facing inward as shown below.

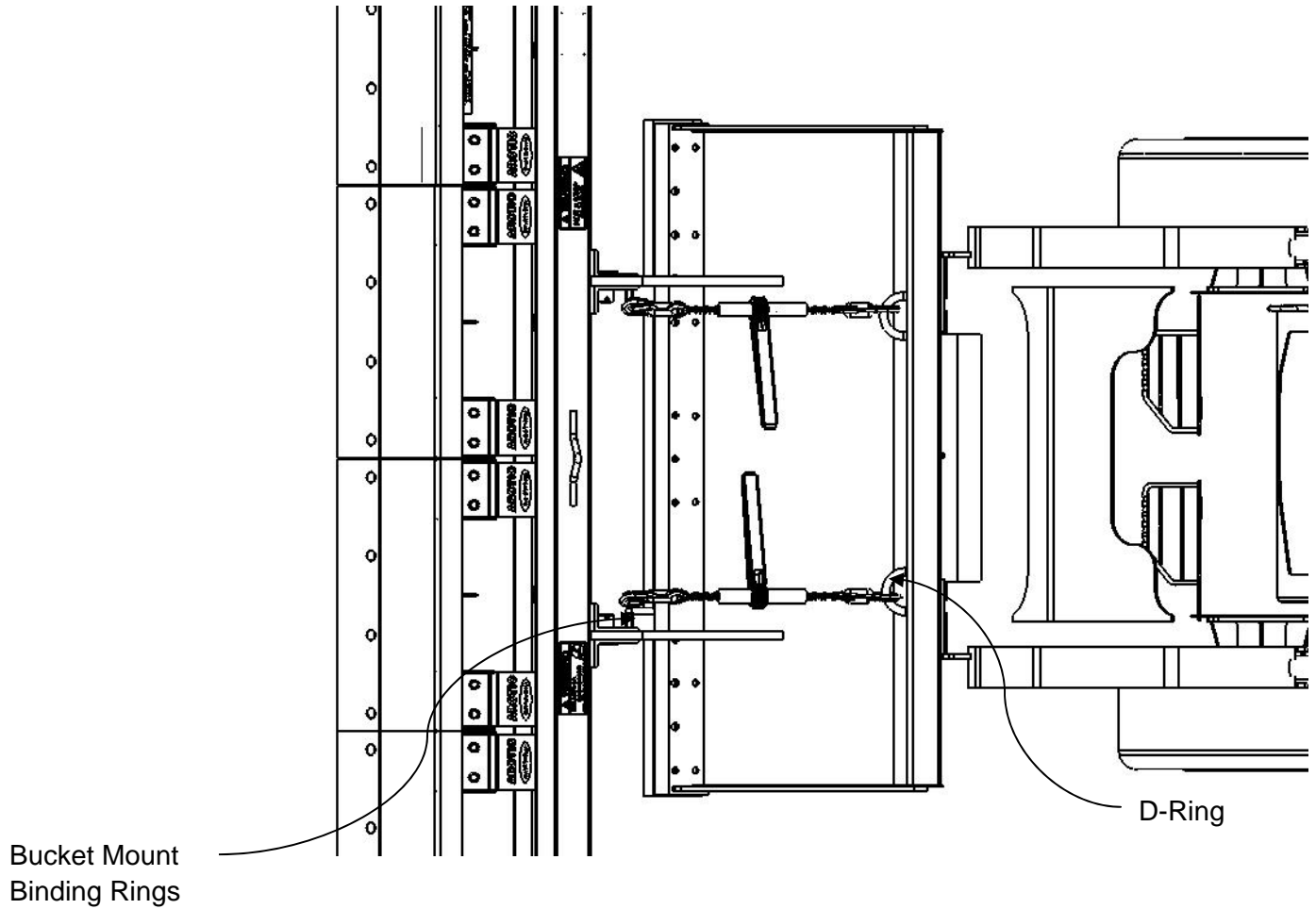


2. Measure the distance between the binding rings and use that distance for the D-rings on the inside of the bucket.

3. This will insure that there is no binding within the Bucket Mounts and Slip Hitch Mounts allowing the Bucket Mounts to move freely.



4. Once the D-Rings have been welded to the inside of the bucket use a Chain and Chain Binder to secure the plow to the Bucket. Two Chain Binders can be used on the bucket depending on the depth of the bucket as shown below.



5. **Warning:** Do not attempt to pick up plow and hang it upside down. The chains will not hold the box plow resulting in an injury or fatality.